

34. Jet pumps & boosters

JP pumps

Handle kit

Pos.	Pump type	JP3-42 / JP4-47 / JP4-54 / JP5-48
	Kit No	99521000
190	Handle	1
190b	Screws	2

Motor fan, spare

Pos.	Pump type	JP3-42 / JP4-47	JP4-54 / JP5-48
	Kit No	99577662	99577666
14	Motor fan	1	1

Motor shell kit

Pos.	Pump type	JP3-42 / JP4-47	JP4-54 / JP5-48
	Kit No	99521002	99521025
44	Upper motor shell	1	1
42	Lower motor shell	1	1
43	Shell grid	1	1
45	Screws	6	6

Pump housing kit

Pos.	Pump type	JP3-42 / JP4-47 / JP4-54 / JP5-48	JP3-42 / JP4-47 / JP4-54 / JP5-48
	Model	G1" thread	NPT thread
	Kit No	99521027	99521028
1	Pump housing	1	1
28	O-ring	1	1
92	Clamp ring	1	1
93	Screw	1	1
94	Nut	1	1

Plugs kit

Pos.	Pump type	JP3-42 / JP4-47 / JP4-54 / JP5-48
	Kit No	99521030
31	Plug	2
32	O-ring	2

Shaft seal kit

Pos.	Pump type	JP3-42 / JP4-47 / JP4-54 / JP5-48
	Kit No	99520998
16/16a	Shaft seal	1

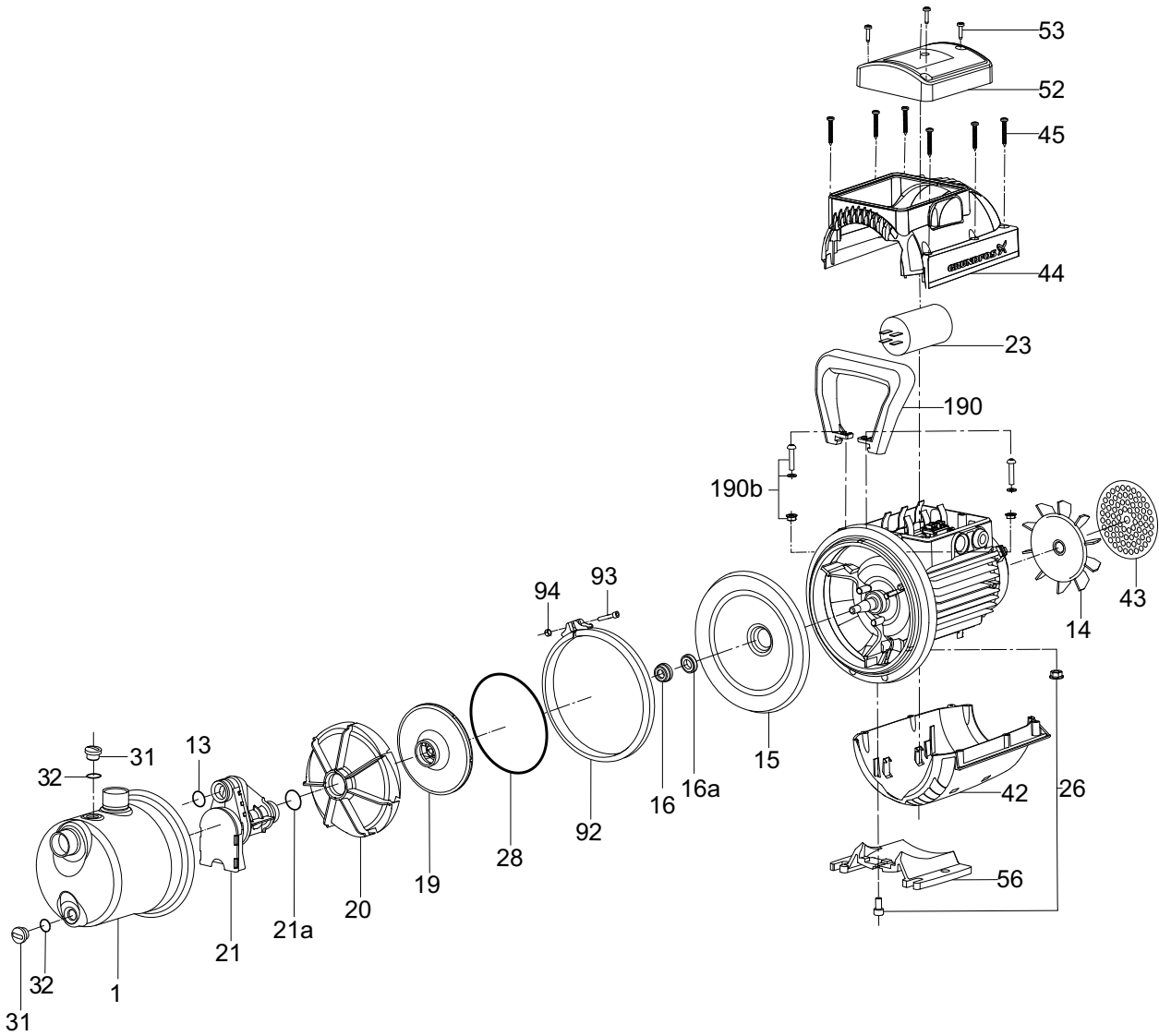
Hydraulic kit 50 Hz

Pos.	Pump type	JP3-42	JP4-47	JP4-54	JP5-48
	Kit No	98715214	98715216	98715217	99520961
19	Impeller	1	1	1	1
20	Diffuser	1	1	1	1
21	Venturi tube	1	1	1	1
28	O-ring	1	1	1	1
21a	O-ring	1	1	1	1
13	O-ring	1	1	1	1

Hydraulic kit 60 Hz

Pos.	Pump type	JP3-42	JP4-47	JP4-54	JP5-48
	Kit No	98715218	98715219	98715220	99520960
19	Impeller	1	1	1	1
20	Diffuser	1	1	1	1
21	Venturi tube	1	1	1	1
28	O-ring	1	1	1	1
21a	O-ring	1	1	1	1
13	O-ring	1	1	1	1

JP 3-42 / JP 4-47 / JP 4-54 / JP 5-48



TM07 2748 4118

JP Boosters

Spare parts

Capacitor 50 Hz

Pos.	Pump type	JP3-42, JP4-47	JP4-54	JP5-48
		99521046	99521052	99521065
23	Capacitor 12.5 μ F	1	-	-
	Capacitor 16 μ F	-	1	-
	Capacitor 25 μ F	-	-	1

Capacitor 60 Hz

Pos.	Pump type	JP3-42	JP4-47, JP4-54	JP5-48
		99521063	99521046	99521065
23	Capacitor 10 μ F	1	-	-
	Capacitor 12.5 μ F	-	1	-
	Capacitor 25 μ F	-	-	1

5-way valve

Pos.	Pump type	JP3-42 / JP4-47 / JP4-54 / JP5-48
404	5 way valve	99521067

Manometer

Pos.	Pump type	JP3-42 / JP4-47 / JP4-54 / JP5-48
462	Manometer	99521114

Tank, horizontal

Pos.	Pump type	JP3-42 / JP4-47 / JP4-54 / JP5-48
306	Tank, horizontal	99521115

Tank, vertical

Pos.	Pump type	JP3-42 / JP4-47 / JP4-54 / JP5-48
305	Tank, vertical	99521116

Hose

Pos.	Pump type	JP3-42 / JP4-47 / JP4-54 / JP5-48
309	Hose	99521117

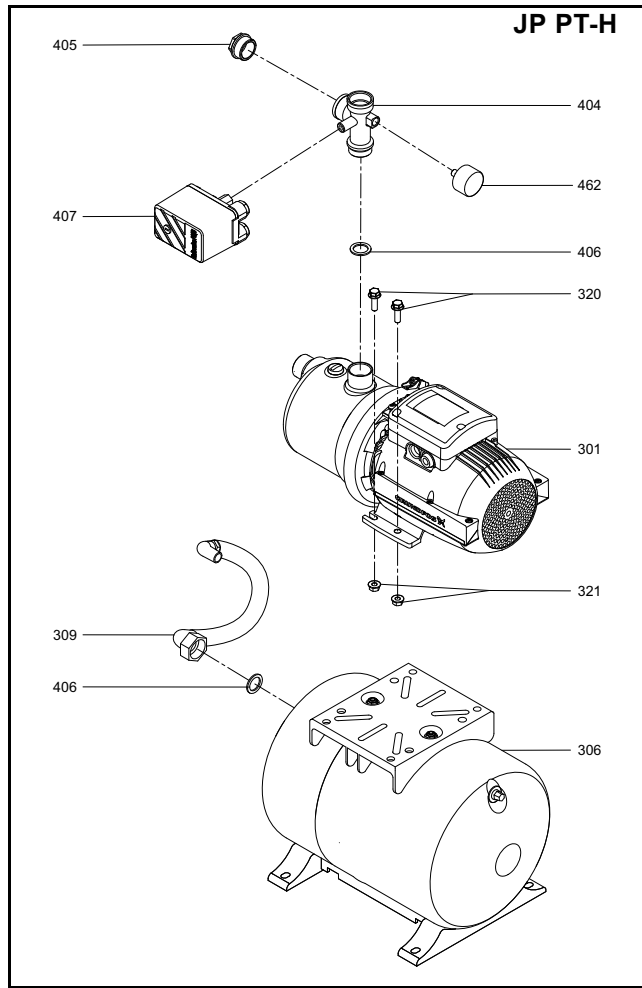
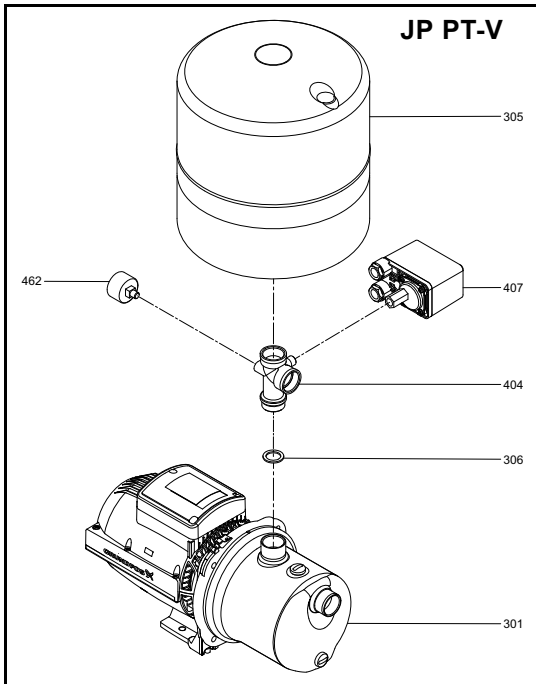
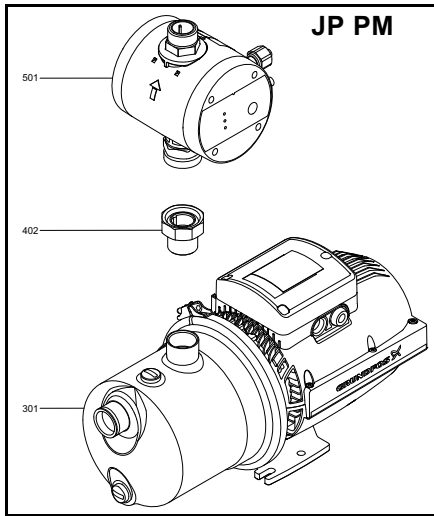
Pressure switch

Pos.	Pump type	JP3-42 / JP4-47 / JP4-54 / JP5-48
407	Pressure switch	99521118

Pressure manager

See Pressure manager for PM parts.

JP 3-42 / JP 4-47 / JP 4-54 / JP 5-48



TM07 2273 4518 - TM07 2274 4518 - TM07 2275 4518

JP 5, JP 6**50/60 Hz, Models B, C, D, E****Clamp**

Pos.	Pump type	JP5	JP6
	Model	B, D, E	
	Kit No	96957810	
92	Clamp	1	1
93	Hexagon socket head cap screw	1	1
94	Lock nut M6	1	1

Hydraulic parts

Pos.	Pump type	JP5	JP6
	Model	B, D, E	
	Kit No	96768184	96768185
13	O-ring	1	1
14	Ejector complete	1	1
49	Impeller	1	1
66	Washer	1	1
67	Lock nut M8	1	1
91	Seal ring	1	1

O-ring

Pos.	Pump type	JP5, JP6
	Model	B, D, E
	Kit No	96768180
11	O-ring	2
13	O-ring	1
25	Plug	2
31	O-ring	1

Shaft seal model D

Pos.	Pump type	JP5, JP6	JP5, JP6
	Model	D	D
	Material	A	B
	Kit No	96768182	98963491
62	Gasket	1	1
105	Shaft seal, material A	1	-
105	Shaft seal, material B	-	1
91	Seal ring, JP5	1	1
31	O-ring	1	1

Shaft seal and impeller model C

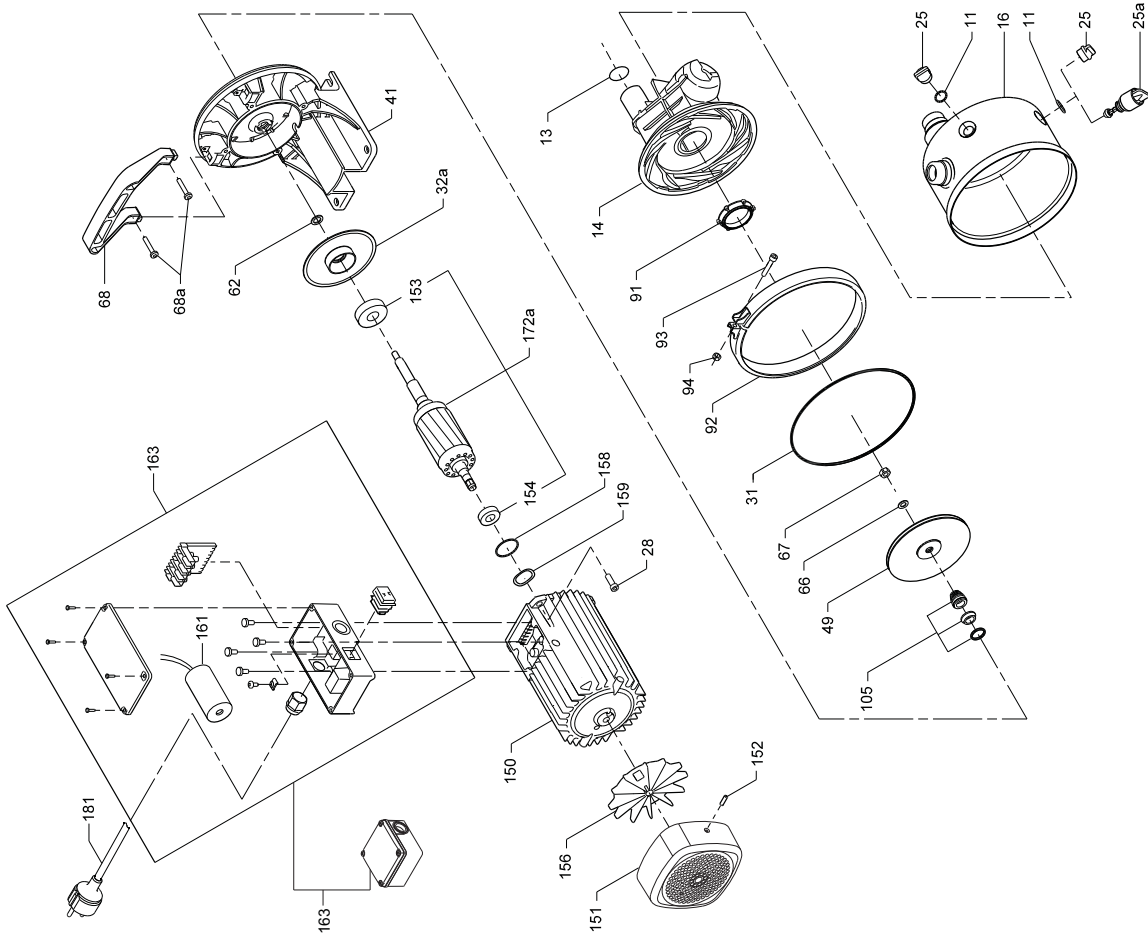
Pos.	Pump type	JP5	JP6
	Model	C	C
	Kit No	985742	985743
11	O-ring	2	2
13	O-ring	1	1
25	Pipe plug	1	1
25A	Ejector valve	1	1
31	O-ring	1	1
49	Impeller	1	1
62	O-ring	1	1
105	Shaft seal	1	1
91	Seal ring	1	1
93	Hexagon socket head cap screw	1	1
94	Lock nut	1	1

Shaft and rotor complete

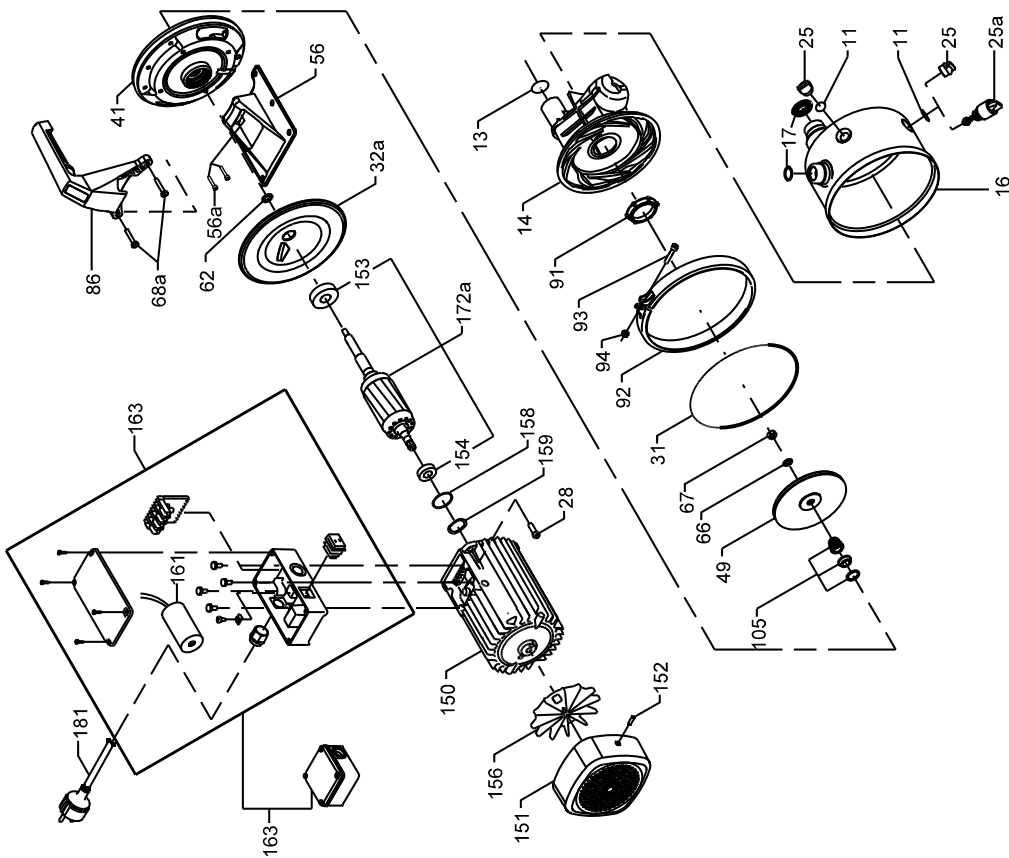
Pos.	Pump type	JP6
	Model	B, D, E
	Kit No	99012780
172a	Shaft and rotor with spline	1
153	Ball bearing	1
154	Ball bearing	1

JP 5, JP 6

Material A



Material B



TM00 7579 3315 - TM06 4500 3315

JP 5, JP 6**50/60 Hz, Models B, C, D, E****Spare parts and bulk parts****Base plate**

Pos.	Pump type	JP5, JP6	
	Model	B, D, E	
	Material	B	
	Kit No	96588638	
56	Base plate stainless complete	1	

Capacitor

Pos.	Pump type	JP5	JP6	JP5, JP6
	Model	B, D, E	B, D, E	B, D, E
	Kit No	98933219	98933241	96588642
	161	Capacitor 20 µ F	1	-
	Capacitor 25 µ F	-	1	-
	Capacitor 8 µ F	-	-	1

Cover plate

Pos.	Pump type	JP5	JP6
	Model	B, D, E	
	Kit No	97688246	
	32a	Cover plate	1

Ejector valve

Pos.	Pump type	JP5	JP6
	Model	B, D, E	B, D, E
	Kit No	96588659	96588678
	25a	Ejector valve	1

Handle

Pos.	Pump type	JP5	JP6
	Model	B, D, E	B, D, E
	Material	A	B
	Kit No	97688244	96588661
	68	Handle	1

Motor stool

Pos.	Pump type	JP5	JP6	JP5	JP6
	Model	B, D, E		B, D, E	
	Kit No	97688243		97688242	
	41	Motor stool composite	1		-
41	Motor stool aluminium	-		1	

Pump sleeve

Pos.	Pump type	JP5	JP6	JP5	JP6
	Model	B, D, E		B, D, E	
	Kit No	97688245		98686526	
	16	Pump sleeve int. thread	1		-
16	Pump sleeve ext. thread	-		1	

Terminal box with on/off switch

Pos.	Pump type	JP5	JP6
	Model	B, D, E	
	Kit No	96588646	96588647
	163	Terminal box complete	1

Terminal box without on/off switch

Pos.	Pump type	JP5	JP6
	Model	B, D, E	
	Kit No	98996857	98996888
	163	Terminal box complete	1

Terminal box 3 phase

Pos.	Pump type	JP5, JP6
	Model	B, D, E
	Kit No	98996890
	163	Terminal box complete, 3 phase

Ejector, bulk

Pos.	Pump type	JP5	JP6
	Model	B, D, E	B, D, E
	Material	A	B
	Kit No	97704920	97705042
68	Ejector complete	5	5

Gasket, bulk

Pos.	Pump type	JP5	JP6
	Model	B, D, E	
	Kit No	96603455	
	15	Gasket	10

O-ring, bulk

Pos.	Pump type	JP5, JP6
	Model	B, D, E
	Kit No	96549277
	31	O-ring

Pipe plug, bulk

Pos.	Pump type	JP5	JP6
	Model	B, D, E	
	Kit No	98470814	
	25	Pipe plug	20

Seal ring, bulk

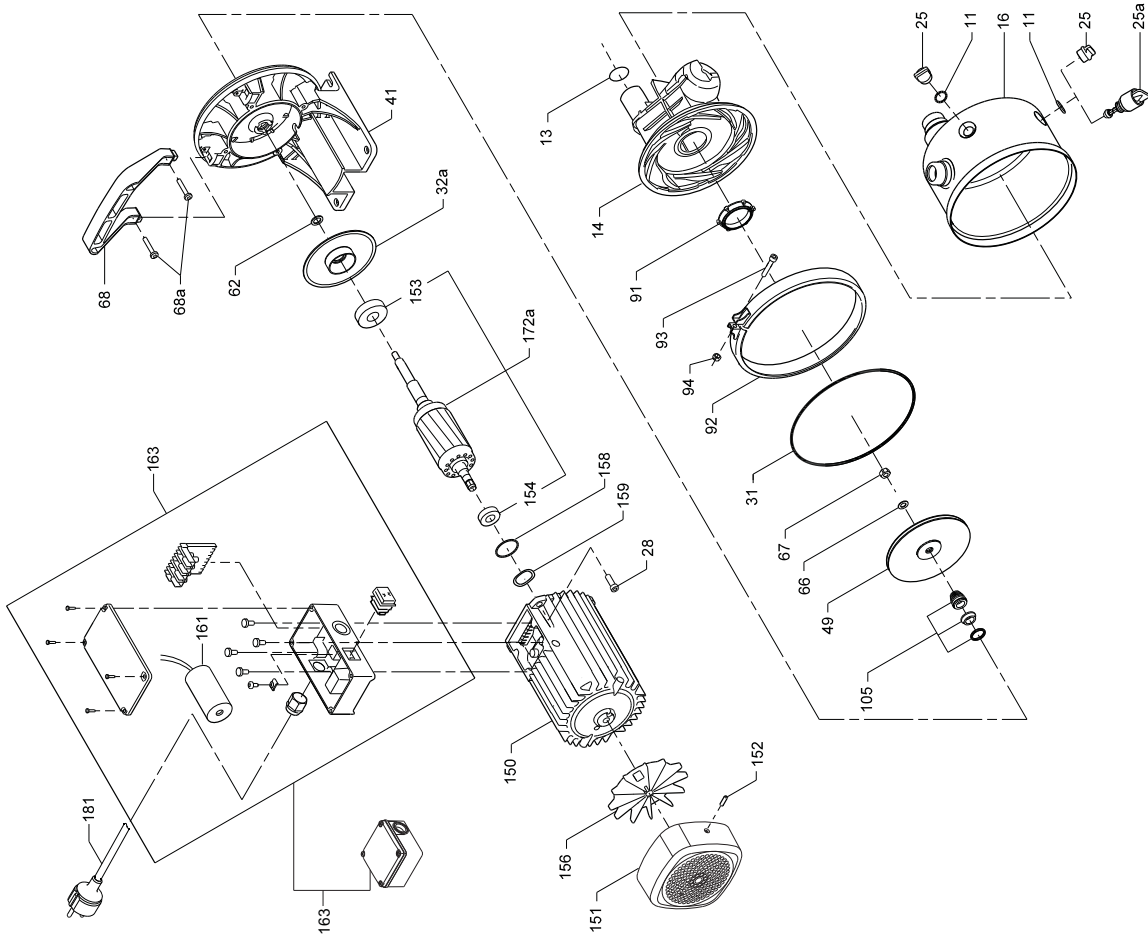
Pos.	Pump type	JP5	JP6
	Model	B, D, E	B, D, E
	Kit No	96803029	96928591
	91	Seal ring	10

Shaft seal, bulk

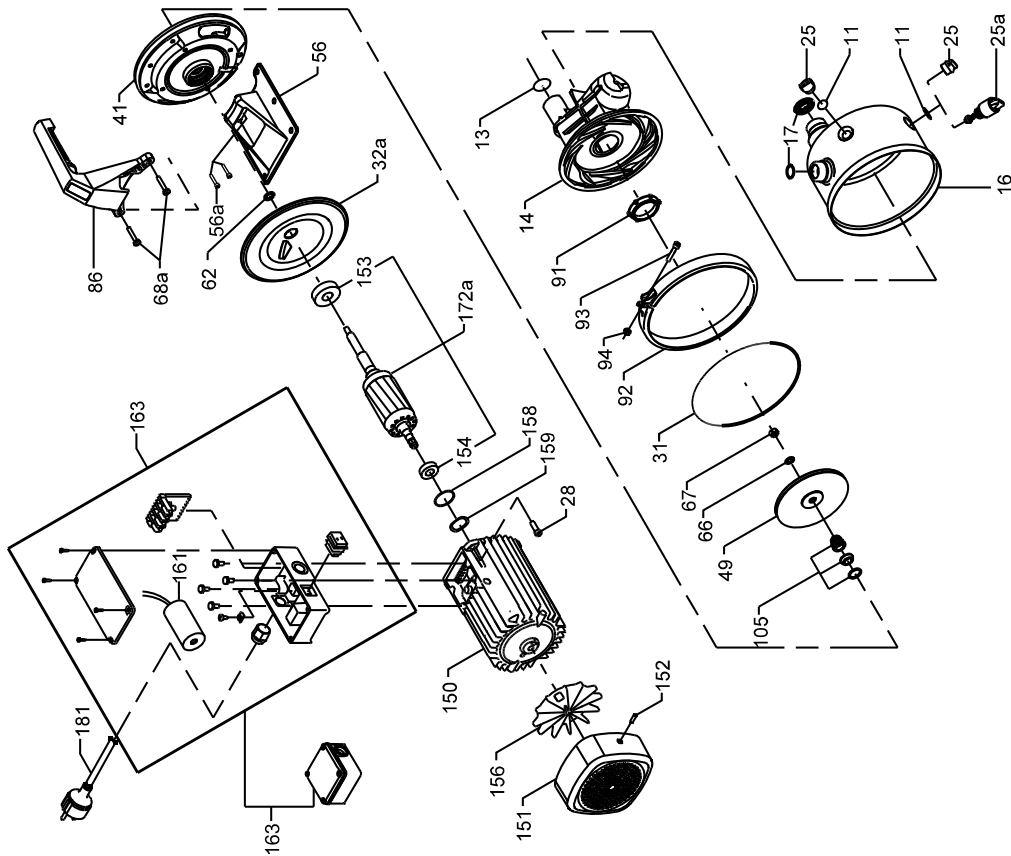
Pos.	Pump type	JP5	JP6
	Model	B, D, E	
	Kit No	96536505	
	105	Shaft seal	10

JP 5, JP 6

Material A



Material B



TM00 7579 3315 - TM06 4500 3315

JP 5, JP 6 Booster

50/60 Hz, Models with pressure tank

5-way fitting and Gasket

Pos.	Pump type	JP5, JP6
	Model	B, D, E
	Kit No	98777519
404	Fitting 5 way with union complete	1
406	Gasket	1

Manometer

Pos.	Pump type	JP5, JP6
	Model	B, D, E
	Kit No	98906913
462	Manometer	1

Tank assembly kit

Pos.	Pump type	JP5, JP6
	Model	B, D, E
	Kit No	98777517
307	Vibration absorber	2
406	Gasket	1
320	Hex cap screw	4
321	Lock washer	4

Pressure tank

Pos.	Kit No	98906910	98906911	96553382
	Model	JP PT	JP PT	JP PT
305	24 liter GT-H tank	1	-	-
305	60 liter GT-H tank	-	1	-
305	18 liter GT-H tank	-	-	1
406	Gasket	2	2	2

Tube and gasket

Pos.	Pump type	JP5, JP6
	Model	B, D, E
	Kit No	98777515
309	Rubber hose with fittings	1
406	Gasket	1

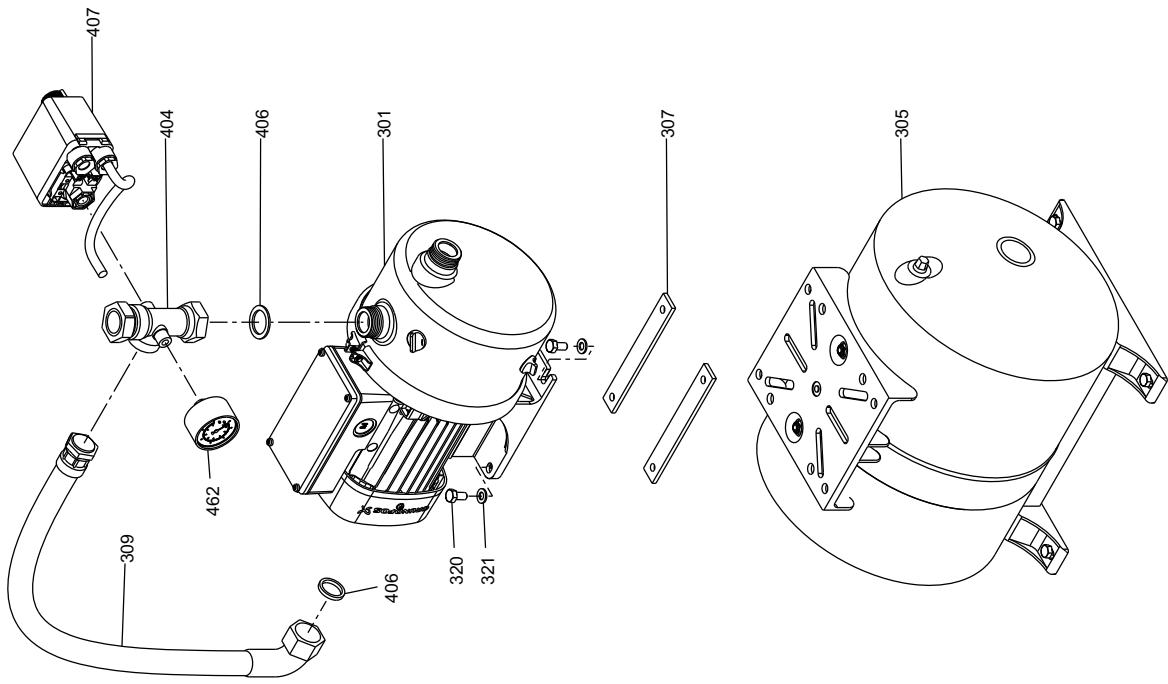
50/60 Hz, Models with PM1, PM2

Bush with o-ring PM1/2

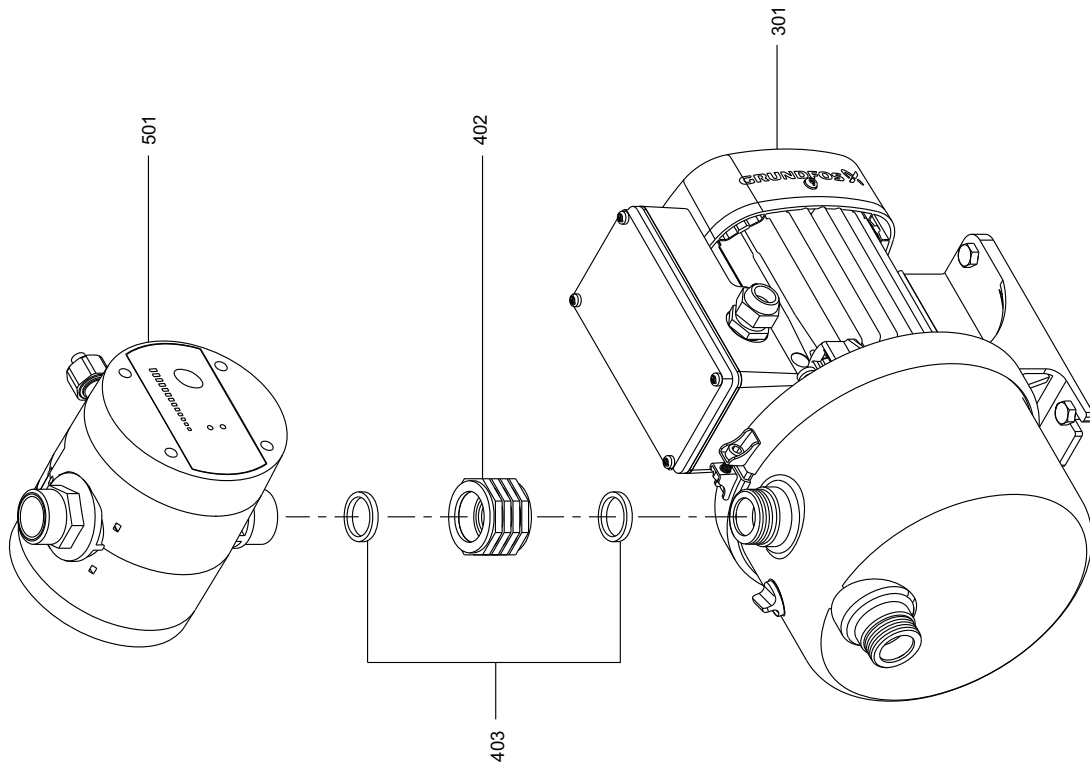
Pos.	Pump type	JP5, JP6
	Model	B, D, E
	Kit No	98488493
402	Bush 1" Gas Connection	1
403	Gasket flat	2

JP 5, JP 6 Booster

JP Booster with pressure tank



JP Booster PM 1 / PM 2



TM06 2252 3914 - TM06 2407 4214

JPC, JPC PM

50/60 Hz

JPC Name change

Old name	New name
JPC 2	JPC 3-42
JPC 3	JPC 4-47
JPC 4	JPC 4-54

NOTE: The service kits uses the old name until 2017.

Capacitor

Pos.	Pump type	JPC	JPC	JPC	JPC	JPC
	Model	4	2, 3	2	2	3, 4
	Frequency	50 Hz	60 Hz	60 Hz	60 Hz	60 Hz
	Voltage	230 V	230 V	230 V	115 V	115 V
	Kit No	98715234	98715231	98715233	98715236	98715238
41	Capacitor, 16 uF	1	-	-	-	-
41	Capacitor, 10 uF	-	1	-	-	-
41	Capacitor, 12,5 uF	-	-	1	-	-
41	Capacitor, 40 uF	-	-	-	1	-
41	Capacitor, 50 uF	-	-	-	-	1

Impeller kit

Pos.	Pump type	JPC	JPC	JPC	JPC	JPC
	Model	2	3	4	2	3
	Frequency	50 Hz	50 Hz	50 Hz	60 Hz	60 Hz
	Kit No	98715214	98715216	98715217	98715218	98715219
16	O-ring	1	1	1	1	1
20	Diffuser	1	1	1	1	1
19	Impeller	1	1	1	1	1
21	Venturi set	1	1	1	1	1

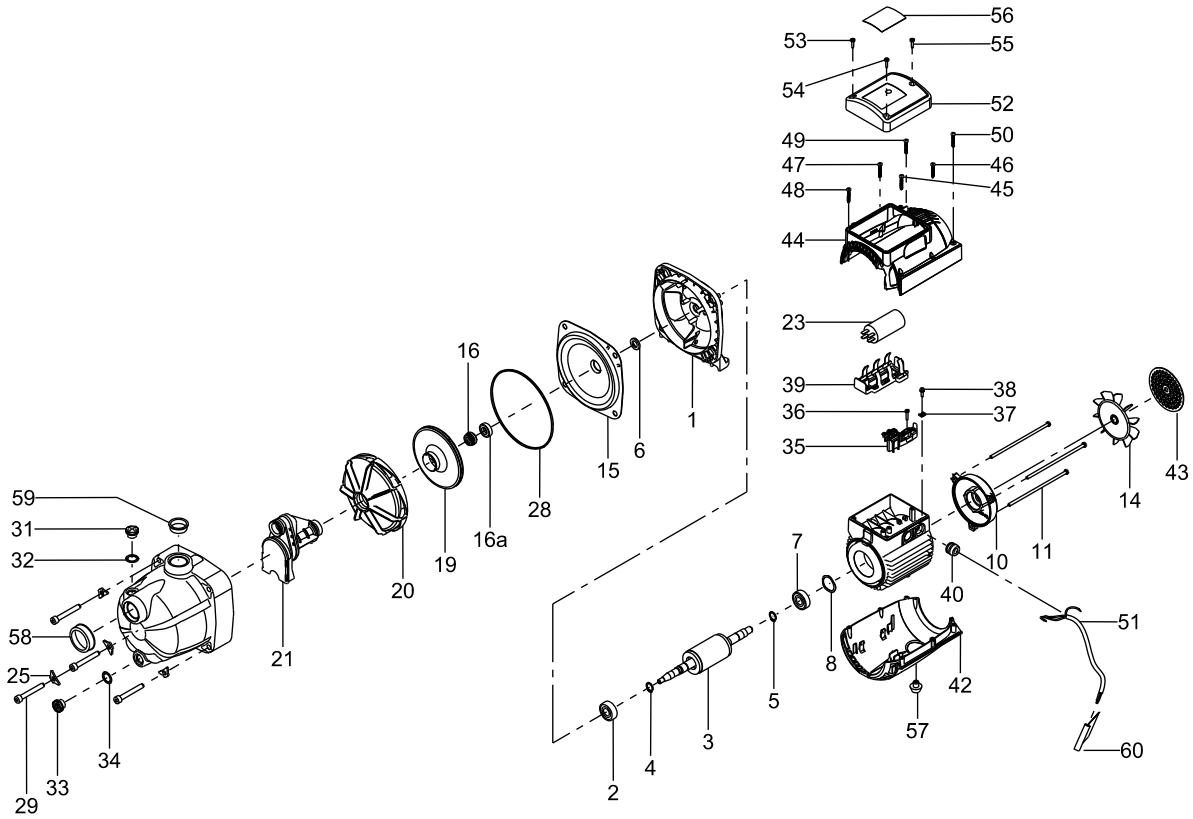
Shaft seal kit

Pos.	Pump type	JPC
	Model	2, 3, 4
	Frequency	50/60 Hz
	Kit No	98715213
18	Shaft seal, stationary part	1
17	Shaft seal, rotating part	1
16	O-ring	1

Booster parts

See *Pressure Manager* page 942 for PM parts.

JPC, JPC Booster



TM06 1661 2614

JPBasic, JPBasic Boosters, JPA, JPA PT, JPA PM

50 Hz

JPBasic and JPBasic Booster Name change

Old name	New name
JPBasic 2	JPA 3-42
JPBasic 3	JPA 4-47
JPBasic 4	JPA 4-54
JPBasic 5	JPA 5-61
JPBasic 7	JPA 8-62
JPBasic 9	JPA 12-41
JPBasic 10	JPA 12-51

NOTE: The service kits uses the old name until 2017.

Capacitor

Pos.	Pump type	JPBasic	JPBasic	JPBasic	JPBasic
	Model	2, 3	4	5, 9	7, 10
Kit No		98715206	98715207	98715209	98715210
23	Capacitor, 12.5 uF	1	-	-	-
23	Capacitor, 16 uF	-	1	-	-
23	Capacitor, 31.5 uF	-	-	1	-
23	Capacitor, 40 uF	-	-	-	1

Hydraulic kit

Pos.	Pump type	JPBasic	JPBasic
	Model	2	3, 4
Kit No		98715192	98715194
67	Venturi set	1	1
28	O-ring	1	1
6	Diffuser	1	1
4	Impeller	1	1

Pos.	Pump type	JPBasic
	Model	5, 7
Kit No		98715196
2	Ejector body	1
9	Nozzle	1
8	Venturi	1
27	O-ring	1
29	O-ring	1
26	Priming plug	1
26a	Aluminium gasket	1
4	Impeller	1

Pos.	Pump type	JPBasic
	Model	9, 10
Kit No		98715197
33	Nozzle	1
34	Venturi	1
37	O-ring	1
35	O-ring	1
4	Impeller	1

Shaft seal kit

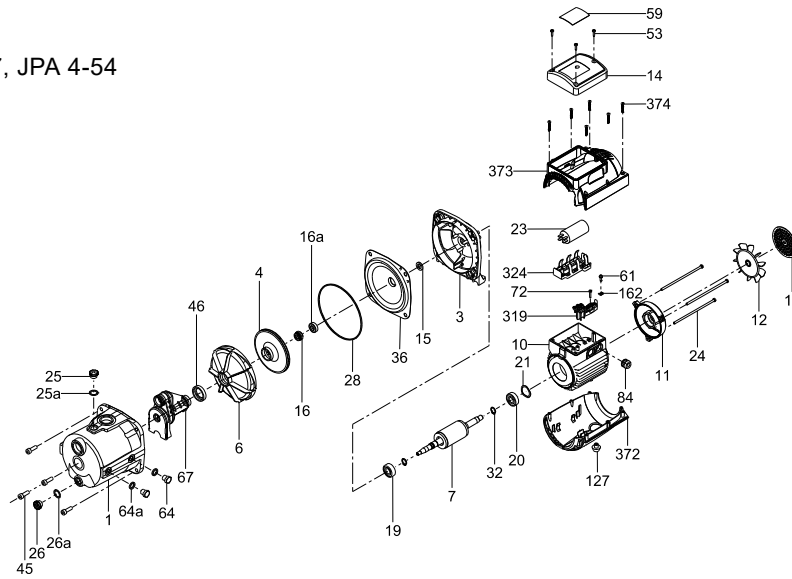
Pos.	Pump type	JPBasic	JPBasic	JPBasic
	Model	2, 3, 4	5, 7	9, 10
Kit No		98715199	98715201	98715202
18	Shaft seal, stationary part	1	1	1
17	Shaft seal, rotating part	1	1	1
36	Disc seal	1	-	-
28	O-ring	1	1	1

Booster parts

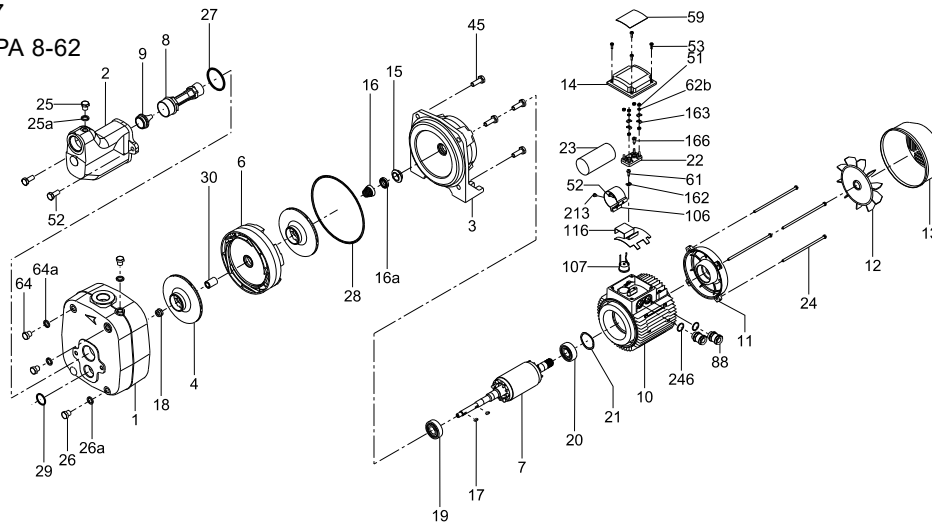
See *Pressure Manager* page 942 for PM parts.

JPBasic

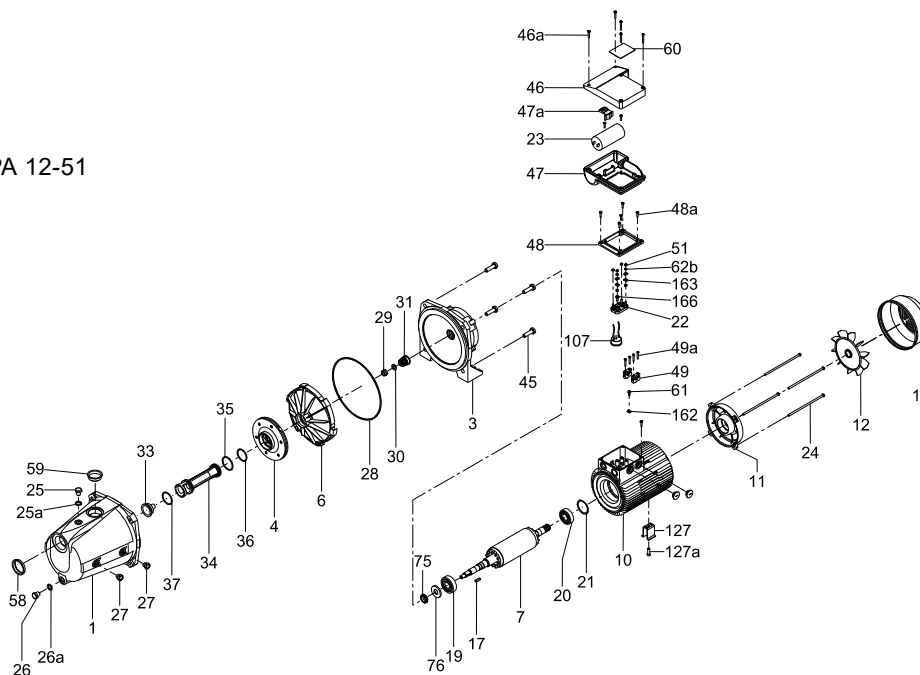
JPBasic 2, 3, 4
 JPA 3-42, JPA 4-47, JPA 4-54



JPBasic 5, 7
 JPA 5-61, JPA 8-62



JPBasic 9, 10
 JPA 12-41, JPA 12-51



TM06 1887 3314 - TM06 1886 3314 - TM06 2120 3714

JPBasic, JPBasic Boosters, JPA, JPA PT, JPA PM Jet pumps

JDBasic, JDBasic Boosters, JPD, JPD PT

50 Hz

JDBasic and JDBasic Booster Name change

Old name	New name
JDBasic 2	JPD 4-47
JDBasic 4	JPD 4-54
JDBasic 5	JPD 5-61
JDBasic 7	JPD 8-62

NOTE: The service kits uses the old name until 2017.

Capacitor

Pos.	Pump type	JDBasic	JDBasic	JDBasic	JDBasic
	Model	4	4	5	7
	Frequency	50 Hz	60 Hz	50/60 Hz	50/60 Hz
	Kit No	98715444	98715445	98715447	98715449
23	Capacitor, 16 uF	1	-	-	-
23	Capacitor, 12.5 uF	-	1	-	-
23	Capacitor, 31.5 uF	-	-	1	-
23	Capacitor, 40 uF	-	-	-	1

Hydraulic kit

Pos.	Pump type	JDBasic	JDBasic	JDBasic	JDBasic	JDBasic	JDBasic
	Model	2	4	4	5	5	7
	Frequency	50/60 Hz	50 Hz	60 Hz	50 Hz	60 Hz	50/60 Hz
	Kit No	98715416	98715417	98715418	98715419	98715441	98715442
36	Gasket	1	1	1	-	-	-
28	O-ring	1	1	1	1	1	1
6	Diffuser	1	1	1	1	1	1
4	Impeller	1	1	1	2	2	2

Shaft seal kit

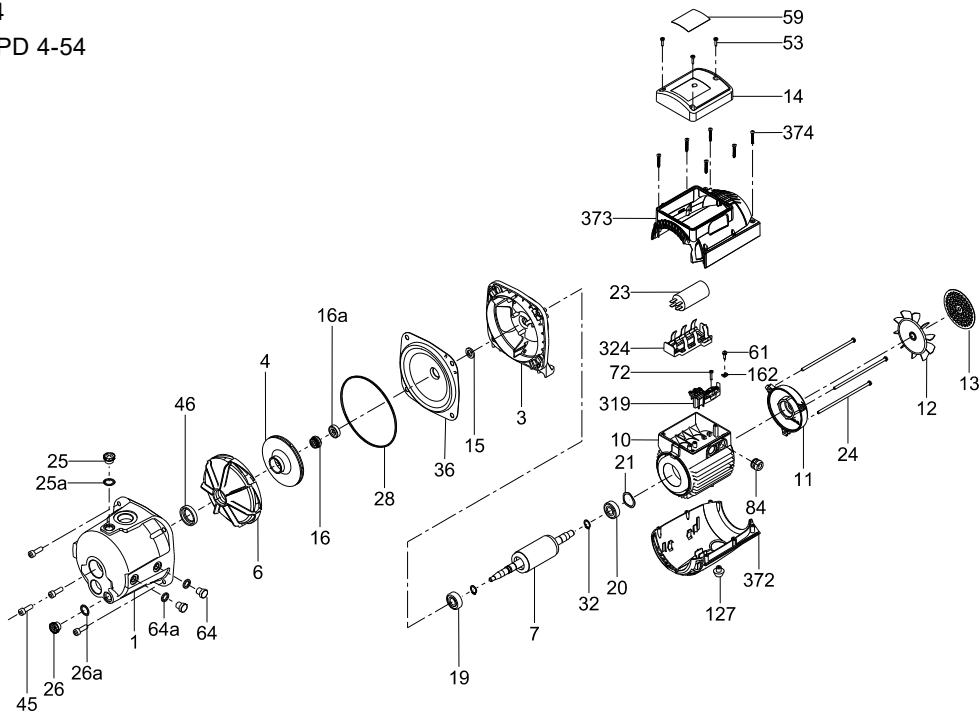
Pos.	Pump type	JDBasic	JDBasic
	Model	2, 4	5, 7
	Kit No	98715239	98715240
16a	Shaft seal, stationary part	1	1
16	Shaft seal, rotating part	1	1
28	O-ring	-	1

Booster parts

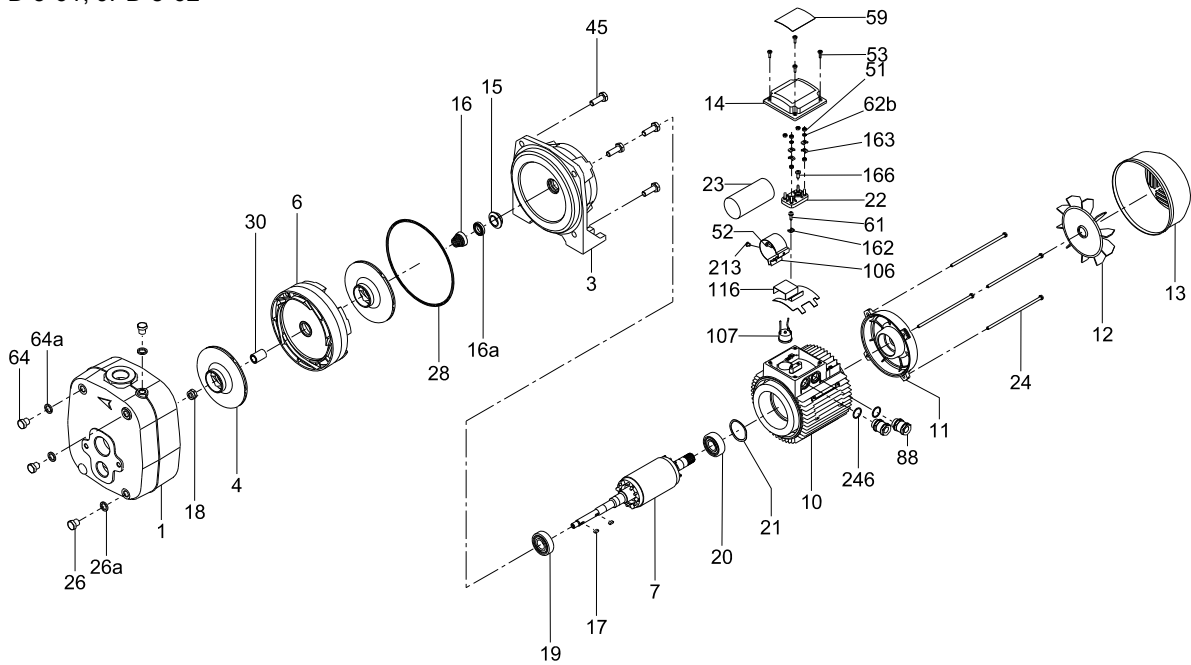
See *Pressure Manager* page 942 for PM parts.

JDBasic

JDBasic 2, 4
JPD 4-47, JPD 4-54



JDBasic 5, 7
JPD 5-61, JPD 8-62



TM06 1593 3314 - TM06 1594 3314

JP PS USA (new models)**Pressure switch, 115-230 V, 60 Hz**

Pos.	Pump type	JP PS 13 03 137 /
		JP PS 18 05 154 /
		JP PS 18 07 177 /
		JP PS 22 10 157
Kit No		98296792
407	Pressure switch	1

Hose for pressure switch kit, 115-230 V, 60 Hz

Pos.	Pump type	JP PS 13 03 137 /
		JP PS 18 05 154 /
		JP PS 18 07 177 /
		JP PS 22 10 157
Kit No		98289931
74	Hose 1/4 NPT	1
71	Clip	1
72	Fitting 1/4 NPT	1
73	O-ring	1

Terminal box cover, 115-230 V, 60 Hz

Pos.	Pump type	JP PS 13 03 137 /
		JP PS 18 05 154 /
		JP PS 18 07 177 /
		JP PS 22 10 157
Kit No		99597813
51	Terminal box cover	1
53	Screws	6

Motor fan, spare

Pos.	Pump type	JP PS 13 03 137 /	JP PS 18 07 177 /
		JP PS 18 05 154	JP PS 22 10 157
Kit No		99628558	99628559
14	Motor fan	1	1

Motor shell kit

Pos.	Pump type	JP PS 13 03 137 /	JP PS 18 07 177 /
		JP PS 18 05 154	JP PS 22 10 157
Kit No		99628502	99628513
44	Upper motor housing	1	1
42	Lower motor housing	1	1
43	Motor housing grid	1	1
53	Screws	6	6

Motor foot, spare

Pos.	Pump type	JP PS 13 03 137 /
		JP PS 18 05 154 /
		JP PS 18 07 177 /
		JP PS 22 10 157
Kit No		99658433
56	Motor foot	1

Pump housing kit

Pos.	Pump type	JP PS 13 03 137 /
		JP PS 18 05 154 /
		JP PS 18 07 177 /
		JP PS 22 10 157
Model		NPT thread
Kit No		99628515
1	Pump housing	1
28	O-ring	1
92	Pump house ring	1
93	Screw	1
94	Nut	1
	Washer	1

Plug kit

Pos.	Pump type	JP PS 13 03 137 /
		JP PS 18 05 154 /
		JP PS 18 07 177 /
		JP PS 22 10 157
Kit No		99628516
26	Plug	2
32	O-ring	2

Shaft seal kit

Pos.	Pump type	JP PS 13 03 137 /
		JP PS 18 05 154 /
		JP PS 18 07 177 /
		JP PS 22 10 157
Kit No		99628500
16	Shaft seal, rotary part	1
16a	Shaft seal, stationary part	1
21a	O-ring	1

O-ring kit

Pos.	Pump type	JP PS 13 03 137 /
		JP PS 18 05 154 /
		JP PS 18 07 177 /
		JP PS 22 10 157
Kit No		99628546
13, 21a	O-ring	2
28	O-ring	1

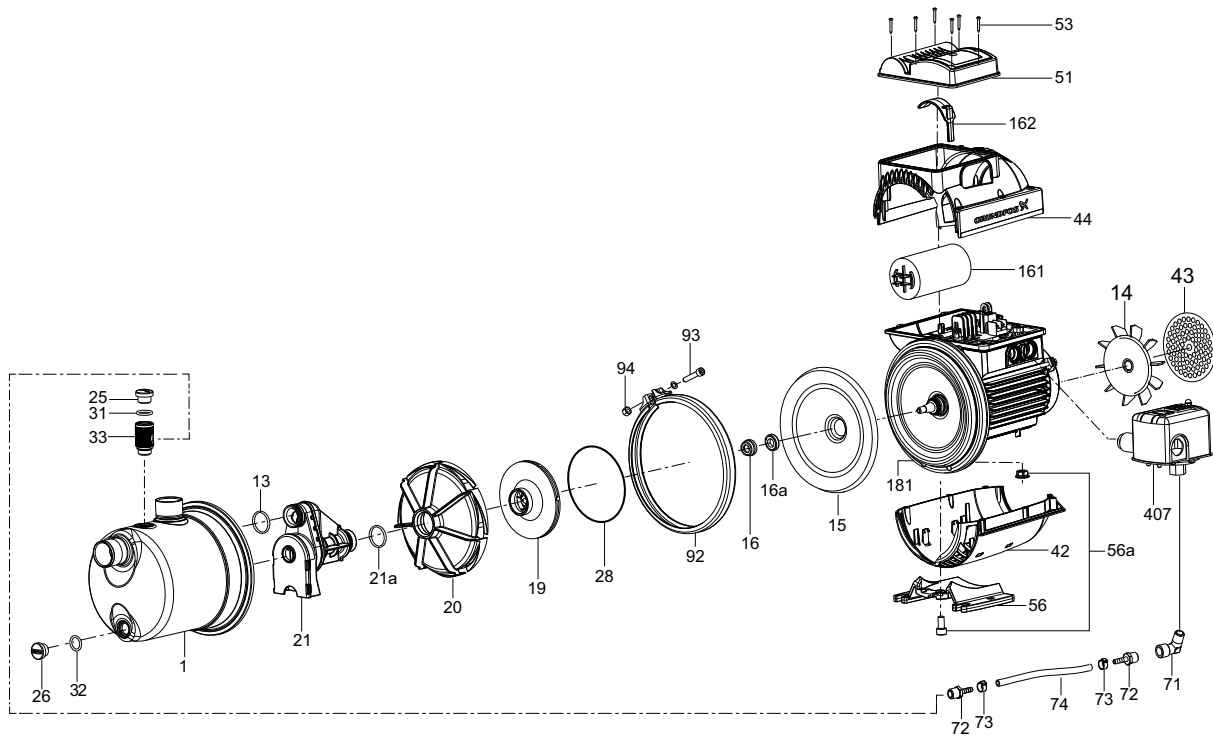
Capacitor, spare

Pos.	Pump type	JP PS	JP PS	JP PS	JP PS
		13 03 137	18 05 154	18 07 177	22 10 157
Kit No		99628551	99628552	99628552	99628554
161	Capacitor	1	1	1	1

Hydraulic kit 60 Hz

Pos.	Pump type	JP PS	JP PS	JP PS	JP PS
		13 03 137	18 05 154	18 07 177	22 10 157
Kit No		99628493	99628496	99628497	99628499
19	Impeller	1	1	1	1
20	Diffuser	1	1	1	1
21	Venturi tube	1	1	1	1
28	O-ring	1	1	1	1
21a	O-ring	1	1	1	1
13	O-ring	1	1	1	1

JP PS 13 03 137 / JP PS 18 05 154 / JP PS 18 07 177 / JP PS 22 10 157



TM07 4225 1419

Jet booster USA (previous models)

60 Hz

Capacitor

Pos.	Model	Jet boosters							
		JP05D-CI JP05S-CI JP05S-EC JP05S-SS	JP07S-CI-1 JP07S-EC-1 JP07S-SS-1	JP07D-CI JP07S-CI JP07S-EC JP07S-SS	JP10S-CI JP10S-EC JP10S-SS	JP10S-CI-1 JP10S-SS-1 JP10S-EC-1	JP15D-CI JP15S-CI JP20S-CI-1	JP03S-CI JP03S-EC	JP20D-CI JP20S-CI JP30S-CI
	Kit No	98298105		98298109		98298114		98298117	
23	Capacitor, 50 uF	1		-		-		-	
23	Capacitor, 80 uF	-		1		-		-	
23	Capacitor, 31.5 uF	-		-		1		-	
23	Capacitor, 40 uF	-		-		-		1	

Dual voltage block

Pos.	Model	Jet boosters							
		JP03S-CI, JP03S-EC, JP05D-CI, JP05S-CI, JP05S-EC, JP05S-SS, JP07S-CI-1, JP07S-EC-1, JP07S-SS-1, JP10S-EC-1, JP07D-CI, JP07S-CI, JP07S-EC, JP07S-SS, JP10S-CI, JP10S-CI-1, JP10S-EC, JP10S-SS, JP10S-SS-1							
	Kit No	98296793							
53	Dual Voltage Block	1							

Hydraulic kit

Pos.	Model	Jet boosters						
		JP03S-CI	JP03S-EC	JP05D-CI	JP05S-CI JP05S-SS	JP05S-EC	JP07S-CI-1 JP07S-SS-1	JP07S-EC-1
	Kit No	98419545	98419546	98288758	98288772	98419548	98419550	98419552
6	Diffuser	1	1	1	1	1	1	1
4	Impeller	1	1	1	1	1	1	1
67	Venturi set	1	1	1	1	1	1	1

Pos.	Model	Jet boosters						
		JP07D-CI	JP07S-CI JP07S-SS	JP07S-EC	JP10S-CI JP10S-SS	JP10S-CI-1 JP10S-SS-1	JP10S-EC	JP15D-CI
	Kit No	98288824	98288827	98419553	98288830	98419554	98419558	98288841
6	Diffuser	1	1	1	1	1	1	1
4	Impeller	1	1	1	1	1	1	1
67	Venturi set	1	1	1	1	1	1	1

Pos.	Model	Jet boosters					
		JP15S-CI	JP20S-CI-1	JP20D-CI	JP20S-CI	JP30S-CI	JP10S-EC-1
	Kit No	98288842	98419559	98288845	98288846	98288848	98419571
6	Diffuser	1	1	1	1	1	1
4	Impeller	1	1	1	1	1	1
34	Ejector kit	1	1	1	1	1	1
67	Venturi set	-	-	-	-	-	1

Pressure switch

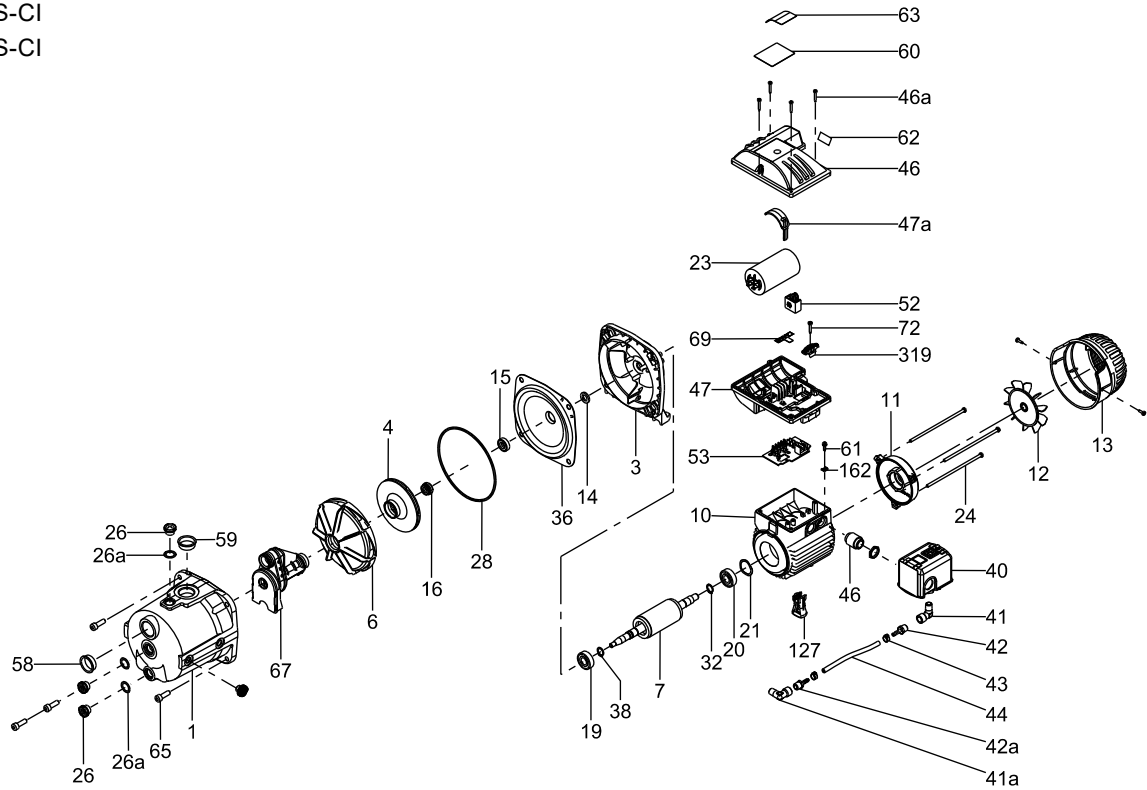
Pos.	Model	Jet boosters
		All
	Kit No	98296792
40	Pressure Switch	1

Shaft seal + impeller kit

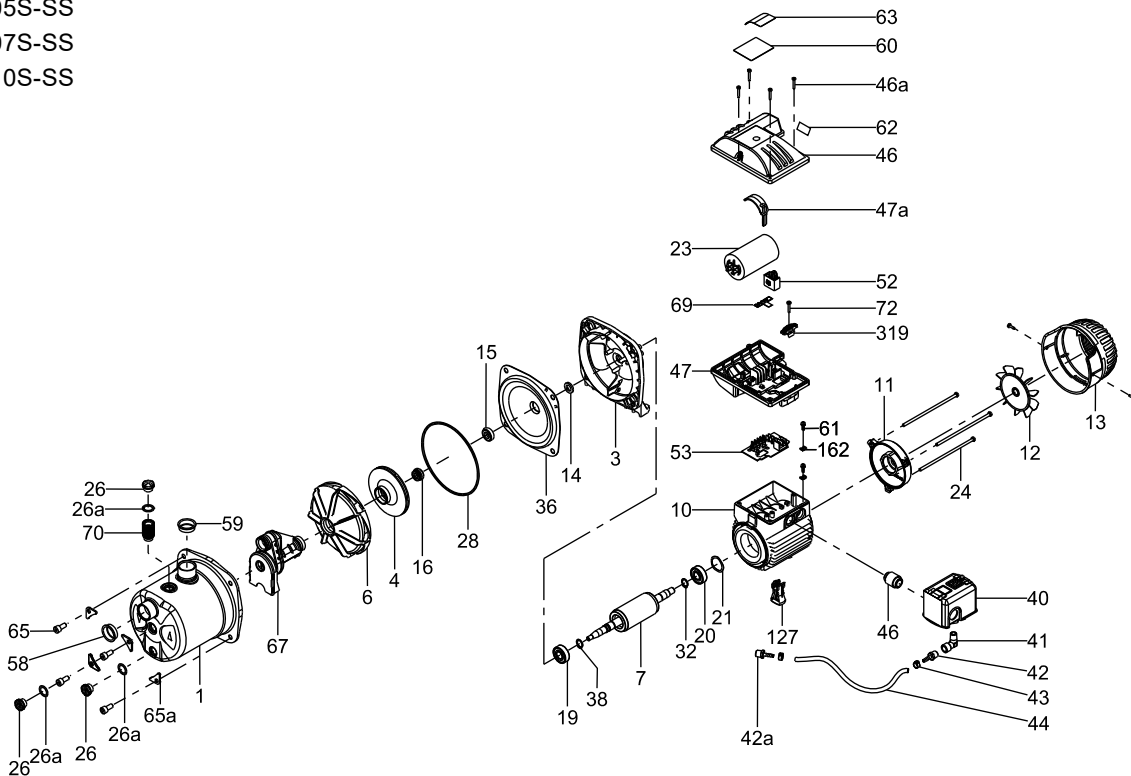
Pos.	Model	Jet boosters								
		JP05D-CI JP07S-CI JP07S-EC JP07S-SS	JP03S-CI JP03S-EC JP05S-CI JP05S-EC	JP05S-SS JP07S-CI-1 JP07S-EC-1 JP07S-SS-1	JP07D-CI JP10S-CI JP10S-CI-1 JP10S-EC	JP10S-SS JP10S-SS-1 JP10S-EC-1	JP15S-CI JP15D-CI	JP20S-CI JP20D-CI	JP20S-CI-1	JP30S-CI
	Kit No	98288907	98288909		98288931		98288932	98288934	98419716	98288935
16, 16a	Shaft seal kit	1	1	1	1	1	1	1	1	1
4	Impeller	1	1	1	1	1	1	1	1	1

Jet boosters USA

- JP03S-CI
- JP05S-CI
- JP07S-CI
- JP10S-CI



- JP05S-SS
- JP07S-SS
- JP10S-SS



TM06 2397 0716 - TM06 2087 0716

Jet booster USA (previous models) Jet pumps & boosters

Hose for pressure switch

Pos.	Pump type	Jet boosters	Jet boosters	Jet boosters
	Model	JP05D-CI, JP03S-CI, JP05S-CI, JP07S-CI-1, JP07D-CI, JP07S-CI, JP10S-CI, JP10S-CI-1	JP05S-SS, JP03S-EC, JP05S-EC, JP07S-EC-1, JP07S-SS-1, JP07S-EC, JP07S-SS, JP10S-EC, JP10S-SS, JP10S-SS-1, JP10S-EC-1	JP15D-CI, JP15S-CI, JP20S-CI-1, JP20D-CI, JP20S-CI, JP30S-CI
	Kit No	98289897	98289931	98289935
43	Clip	2	2	2
41	Fitting 1/4 Gas	1	-	-
41	Fitting 1/4 NPT	1	1	2
41	Fitting 3/8 NPT		1	-
44	Hose 1/4 Gas	1	-	2
44	Hose 1/4 NPT	1	1	2
46	Tube	40 cm	40 cm	40 cm
-	O-ring	-	1	-

Plugs and O-rings

Pos.	Pump type	Jet boosters	Jet boosters
	Model	JP03S-CI, JP03S-EC, JP05D-CI, JP05S-CI, JP05S-EC, JP05S-SS, JP07S-SS-1, JP10S-EC-1, JP07D-CI, JP07S-CI, JP07S-EC, JP07S-SS, JP10S-CI, JP10S-CI-1, JP10S-SS-1	JP15D-CI, JP15S-CI, JP20S-CI-1, JP20D-CI, JP20S-CI, JP30S-CI
	Kit No	98288867	98288904
26/26a	Plug with O-ring	2	-
26	Plug	-	2
26a	Plug gasket	-	2

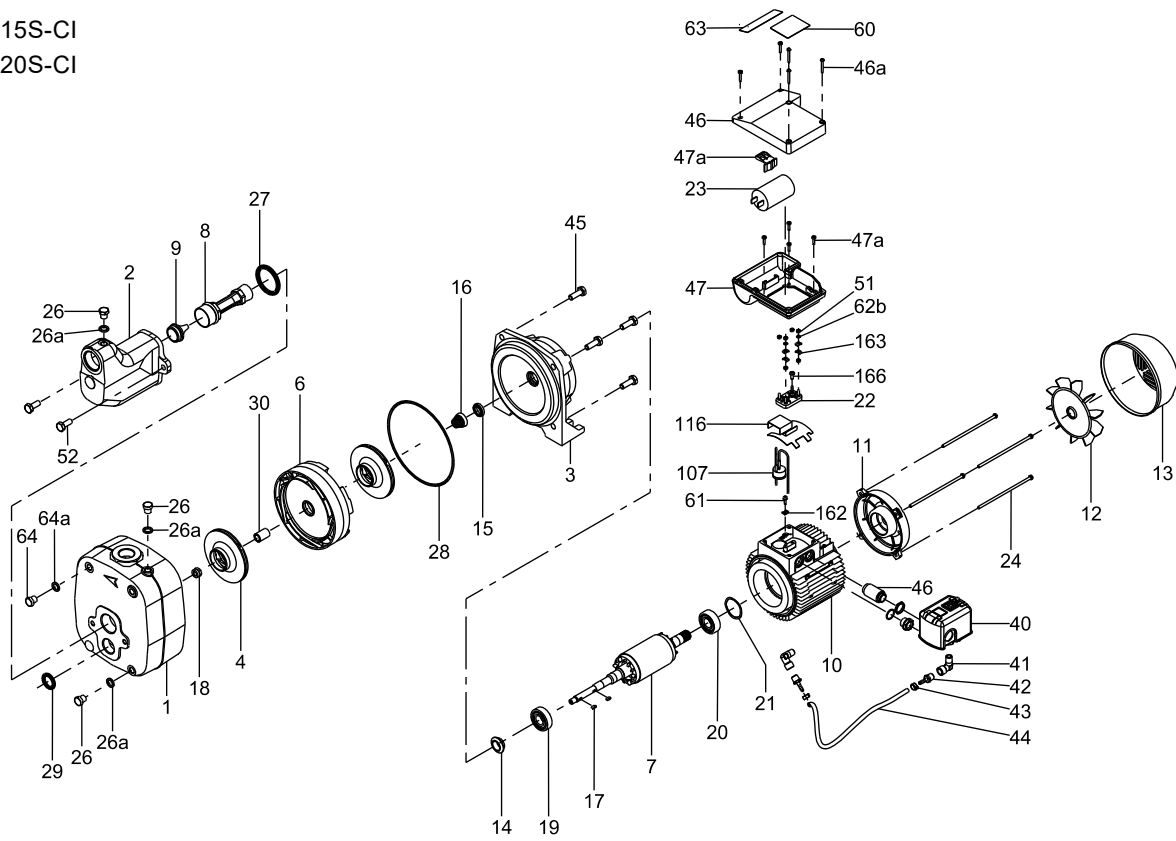
T-box cover kit

Pos.	Pump type	Jet boosters	Jet boosters	Jet boosters
	Model	JP05D-CI, JP03S-CI, JP03S-EC, JP05S-CI, JP05S-EC, JP05S-SS, JP07S-CI-1, JP07S-EC-1, JP07S-SS-1	JP07D-CI, JP07S-CI, JP07S-EC, JP07S-SS	JP10S-CI, JP10S-CI-1, JP10S-EC, JP10S-SS, JP10S-SS-1, JP10S-EC-1
	Kit No	98059738	98059736	98059737
61	Screw	1	1	1
46a	Screw	5	5	5
53	PCB	1	1	1
46	Terminal cover	1	1	1
47	Terminal housing	1	1	1
52	Dual voltage block	1	1	1
72	Screw	1	1	1
319	Cable clip	1	1	1
47a	Capacitor Clip	1	1	1
162	Earth cable fasten	1	1	1

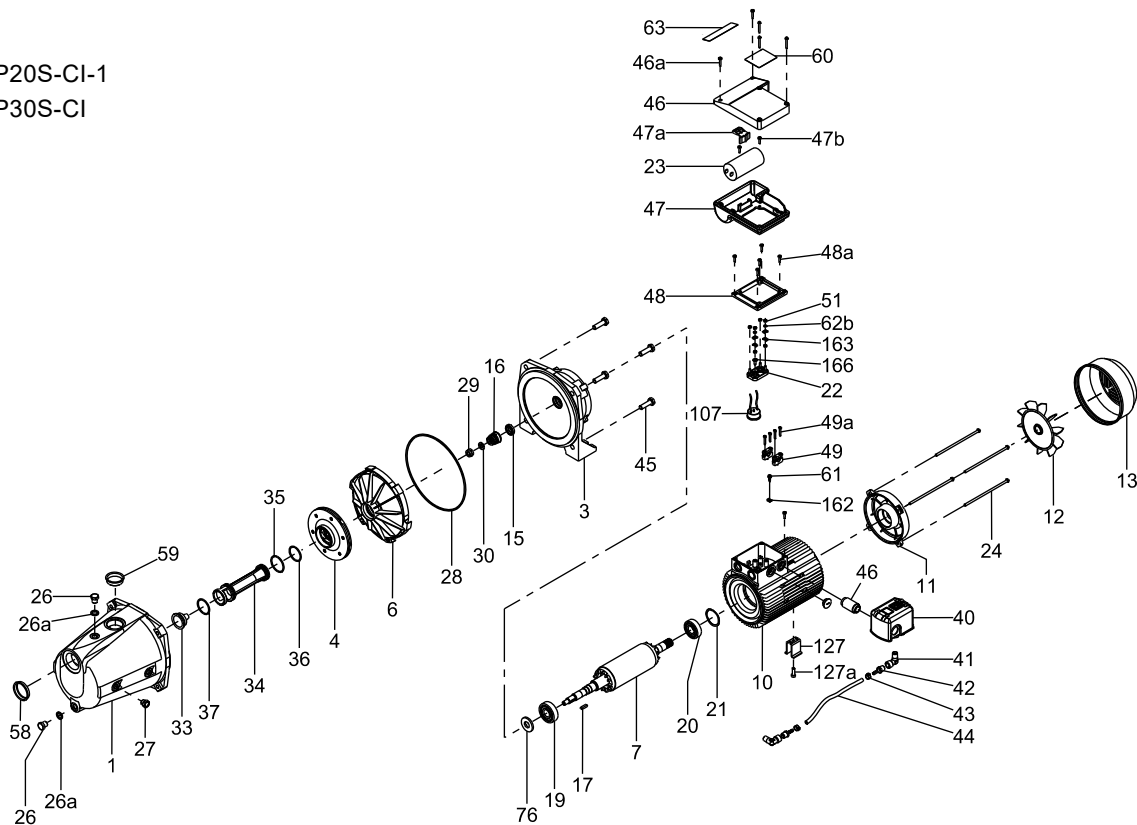
Pos.	Pump type	Jet boosters	Jet boosters
	Model	JP15D-CI, JP15S-CI	JP30S-CI, JP20S-CI, JP20D-CI, JP20S-CI-1
	Kit No	98059739	98291516
46a	Screw	4	8
-	Screw	2	2
-	Screw	3	3
46	Terminal cover	1	1
47	Terminal housing	1	1
22	Terminal housing adaptor	-	1
61	Screw	1	1
47a	Capacitor Clip	1	1
162	Earth cable fasten	1	1

Jet boosters USA

JP15S-CI
JP20S-CI



JP20S-CI-1
JP30S-CI



Jet booster USA (previous models) Jet pumps & boosters

TM06 2398 0716 - TM06 2038 0716

Fan and fan cover kit

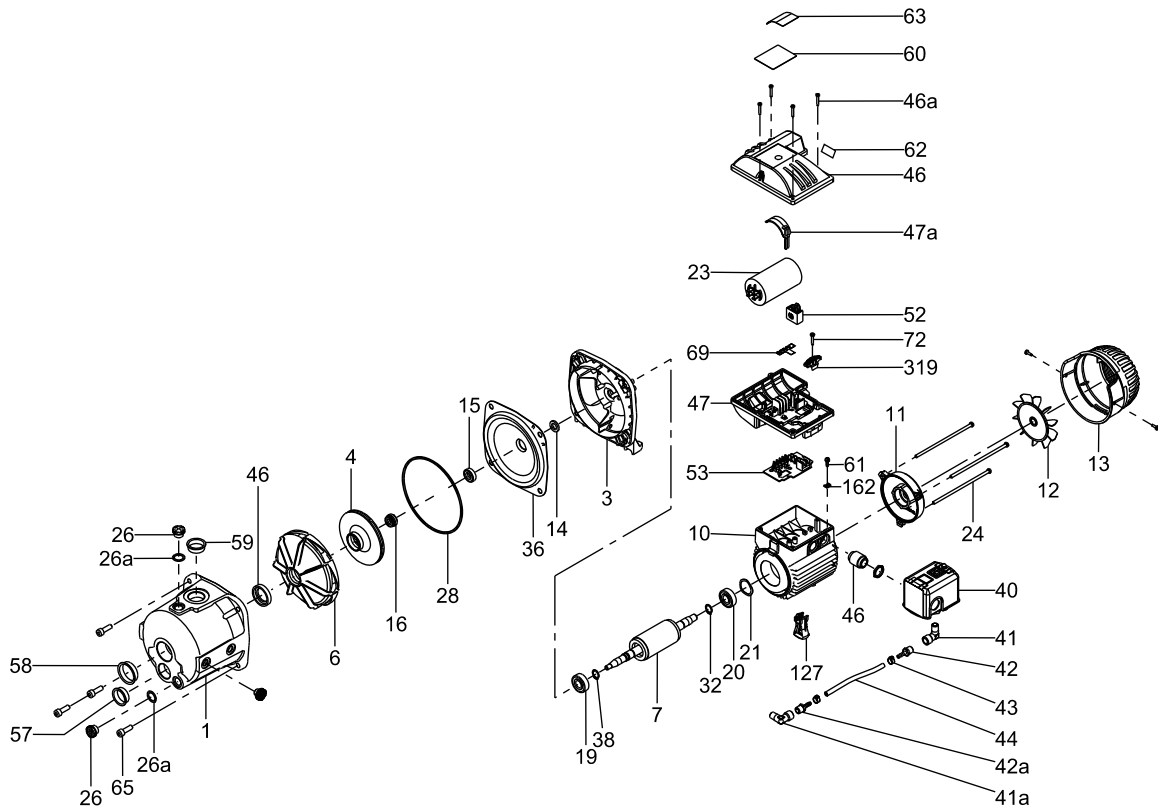
Pump type		Jet boosters		
Pos.	Model	JP05D-CI, JP03S-CI, JP03S-EC, JP05S-CI, JP05S-EC, JP05S-SS, JP07S-CI-1, JP07S-EC-1, JP07S-SS-1	JP07D-CI, JP07S-CI, JP07S-EC, JP07S-SS, JP10S-CI, JP10S-CI-1, JP10S-EC, JP10S-SS, JP10S-SS-1, JP10S-EC-1	JP15S-CI, JP15D-CI, JP20S-CI-1, JP20D-CI, JP20S-CI, JP30S-CI
Kit No		98289939	98289942	98289944
12	Fan	1	1	1
13	Fan cover	1	1	1

Motor stool kits

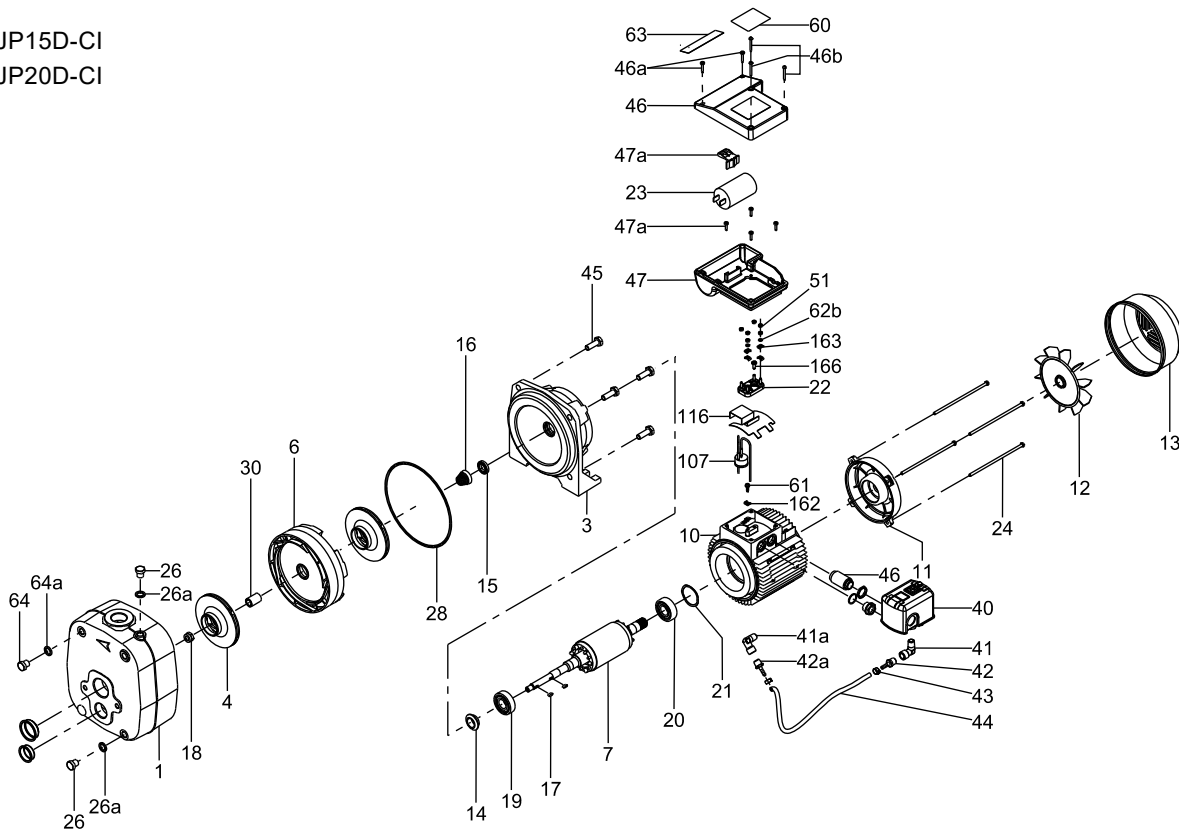
Pump type		Jet boosters			
Pos.	Model	JP03S-CI, JP03S-EC, JP05D-CI, JP05S-CI, JP05S-EC, JP05S-SS, JP07S-CI-1, JP07S-EC-1, JP07S-SS-1	JP07D-CI, JP07S-CI, JP07S-EC, JP07S-SS, JP10S-CI, JP10S-CI-1, JP10S-EC, JP10S-SS, JP10S-SS-1, JP10S-EC-1	JP15D-CI, JP15S-CI, JP30S-CI, JP20D-CI, JP20S-CI-1, JP20S-CI	JP30S-CI, JP20S-CI-1
Kit No		98296753	98296754	98296755	98296756
28	O-ring	1	1	1	1
36	Shaft seal disc	1	1	-	-
16	Shaft seal, stationary part	1	1	1	1
16a	Shaft seal, rotating part	1	1	1	1
3	Motor stool, aluminium	1	1	-	-
3	Motor stool, cast iron	-	-	1	1

Jet boosters USA

JP05D-CI
JP07D-CI



JP15D-CI
JP20D-CI



Jet booster USA (previous models) Jet pumps & boosters

TM06 2089 0716 - TM06 2088 0716